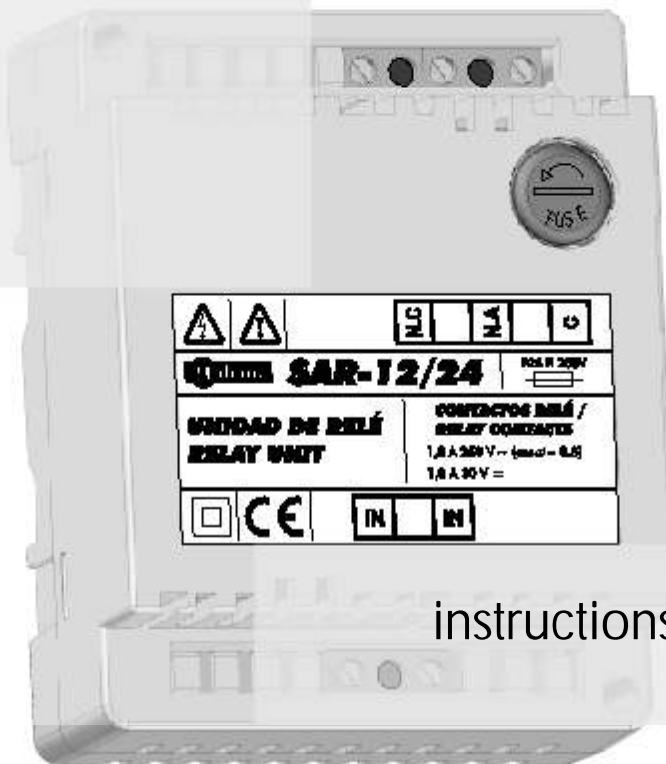




Relay unit

SAR-12/24



instructions manual

First of all we would like to thank and congratulate you for the purchase of this product manufactured by Golmar.

The commitment to reach the satisfaction of our customers is stated through the ISO-9001 Certification and for the manufacturing of products like this one.

Its advanced technology and exacting quality control will do that customers and users enjoy with the legion of features this system offers. To obtain the maximum profit of these features and a properly wired installation, we kindly recommend you to expend a few minutes of your time to read this manual.

INDEX

Introduction.....	2
Index	2
System characteristics	2
Safety precautions	3
Operation modes.....	4
Relay for additional call repeater	4
Relay for auxiliary devices "lamps".....	5
Relay for auxiliary devices "2 nd door".....	5
Relay for auxiliary devices "2 nd camera".....	6
Description.....	7
Installation	7
Compatibility of connection with relays R-3 and SAR-90	8
Installation diagrams	9
Additional call repeater (4 + n "buzzer call").....	9
Additional call repeater (Vista Plus)	9
Additional call repeater (Plus)	10
Activation of stairs light (Plus)	10
Activation of 2 nd camera (Plus).....	11
Activation of 2 nd door (Plus).....	11
Additional call repeater (90).....	12
Activation of stairs light (90)	12
Activation of 2 nd camera (90).....	13
Activation of 2 nd door (90).....	13

SYSTEM CHARACTERISTICS

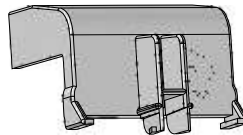
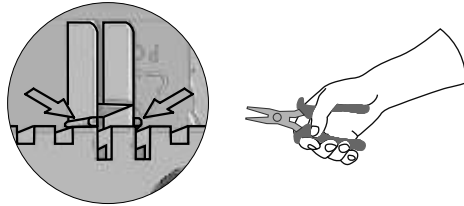
- ☞ Relay unit for the *90*, *4 + n "buzzer call"*, *Vista Plus* and *Plus* systems which permits the following operation modes:
 - ☞ Relay for additional call repeater.
 - ☞ Relay for activation auxiliary devices (lamps, 2nd door, 2nd camera, etc.).
- ☞ Replace the relays units SAR-90 and R-3.
- ☞ Relay unit input without polarity.
- ☞ Input voltage range: 7 to 18 Vac and from 12 to 24 Vdc.
- ☞ The maximum current for relay contacts will be of 1,8A to 30 Vdc/250 Vac.
- ☞ The minimum wire section to connect in the relay outputs will be of 1,5mm².
- ☞ The product includes a fuse of 250V 2A F. Compliance with EN60127-1/EN60127-2 Standards.

Warning:

- ⇨ Install the relay unit in a dry and protected place without risk of drip or water projections.
- ⇨ To avoid damage, the relay unit has to be firmly fixed.
- ⇨ The minimum wire section to connect in the relay outputs will be of 1,5mm².
- ⇨ To avoid an electrical shock, neither remove the protection cover nor handle the connected wire in the terminals with the symbol ⚠, the installation and handling of the relay unit must be performed by authorized personnel and in the absence of electrical current.
- ⇨ In case of blown fuse, replace for one of the same characteristics (see page 29).
The blown fuse must be replaced by authorized personnel and in the absence of electrical current.
- ⇨ The maximum current for relay contacts will be of 1,8A to 30 Vdc/250 Vac.
- ⇨ For safety the fuseholder must always be on.



To access the output terminals of the relay, remove the protection cover using flat pliers, by a light pressure on the ribs wall and then pull to remove it.

**Remember:**

When the installation and wiring works are finished, make sure the protection cover and fuseholder are placed in the relay unit before replacing the electrical current.

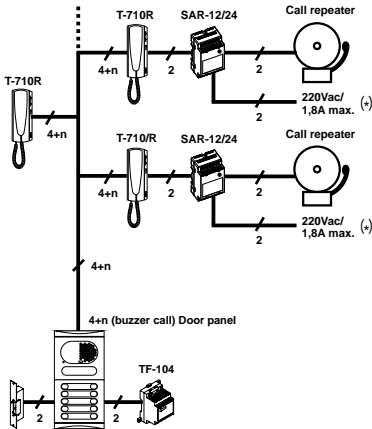
Important:

To avoid an electrical shock, the installation and handling of the relay unit must be performed by authorized personnel and in the absence of electrical current.

Relay for additional call repeater:

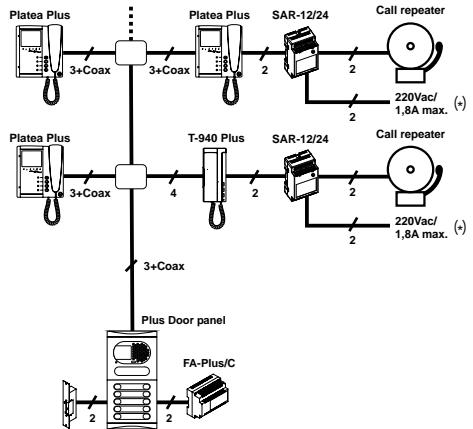
The unit SAR-12/24 will work as a relay to activate the additional call repeater. When the apartment receive a call from door panel or porter's exchange, the relay unit will be activated and deactivated together with the connected monitor / telephone, reproducing the cadence of the call.

4+n "Buzzer Call" System



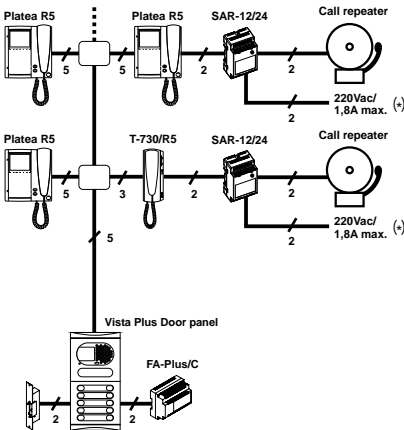
Installation diagram page 36

Plus System



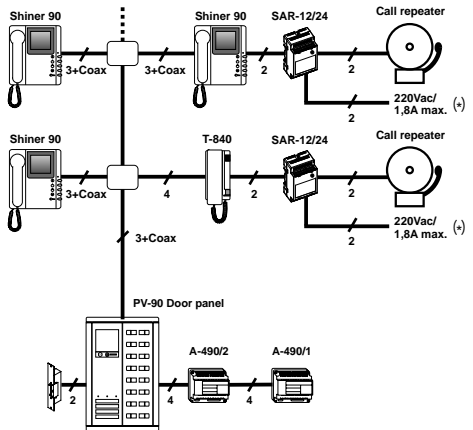
Installation diagram page 37

Vista Plus System



Installation diagram page 36

90 System




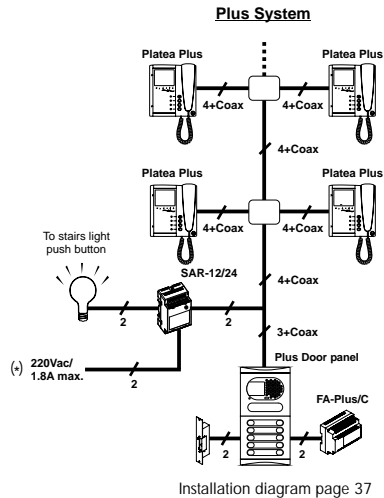
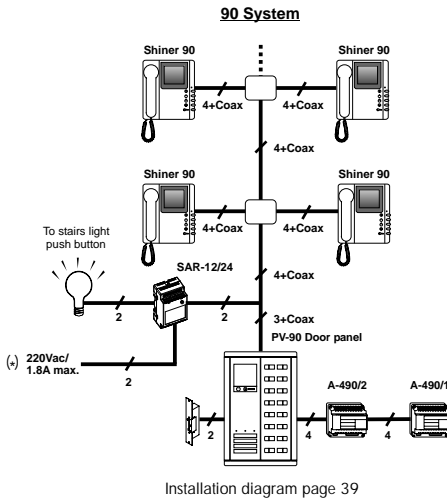
Installation diagram page 39

(*) The neutral supply from the call repeater will be wired through the relay contacts SAR-12/24.

IMPORTANT: For description, installation, configuration and programming of the installed system, see the corresponding manual.

Relay for auxiliary devices (lamps):

The unit SAR-12/24 will work as a relay to activate the auxiliary devices (lamps). The relay will be activated when is pressed the auxiliary push button  from the connected monitor/s.

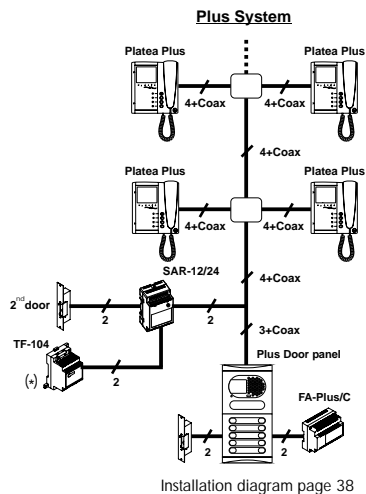
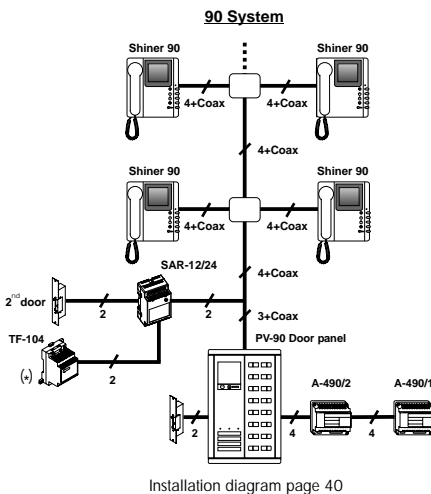


(*) The neutral supply from the stairs light will be wired through the relay contacts SAR-12/24.

IMPORTANT: For description, installation, configuration and programming of the installed system, see the corresponding manual.

Relay for auxiliary devices (2nd door):

The unit SAR-12/24 will work as a relay to activate the auxiliary devices (2nd door). The relay will be activated when is pressed the auxiliary push button  from the connected monitor/s.




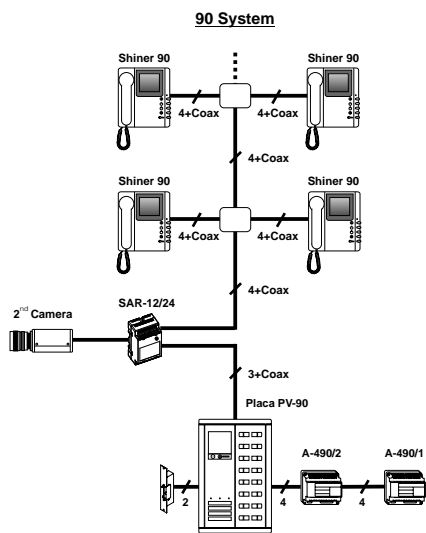
(*) The supply from the lock release will be wired through the relay contacts SAR-12/24.

IMPORTANT: For description, installation, configuration and programming of the installed system, see the corresponding manual.

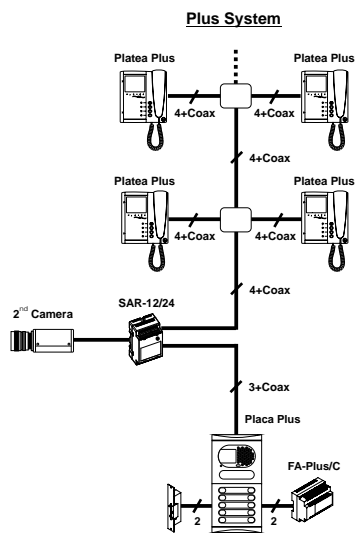
OPERATION MODES

Relay for auxiliary devices (2nd camera):

The unit SAR-12/24 will work as a relay to activate the auxiliary devices (2nd camera). The relay will be activated when is pressed the auxiliary push button  from the connected monitor/s.



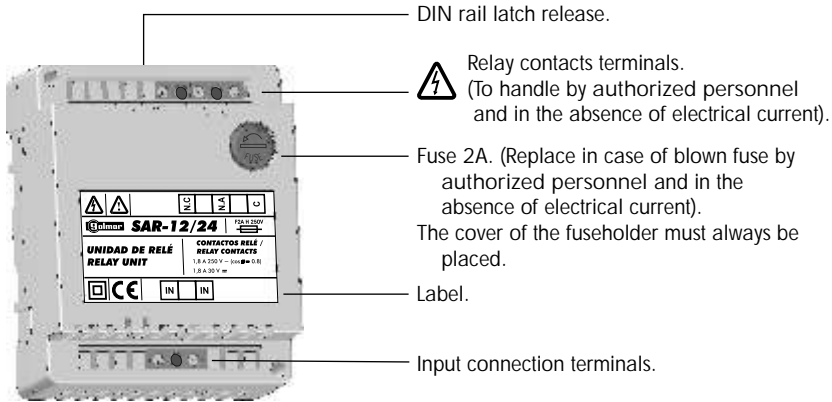
Installation diagram page 40



Installation diagram page 38

IMPORTANT: For description, installation, configuration and programming of the installed system, see the corresponding manual.

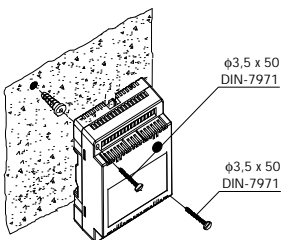
Description of the relay unit.



INSTALLATION

Detail of the relay unit installation.

Install the relay unit in a dry and protected place without risk of drip or water projections.
The minimum wire section to connect in the relay outputs will be of 1,5mm².

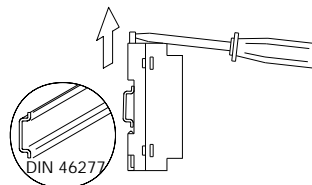


To avoid damage, the unit SAR-12/24 has to be firmly fixed.

Neither remove the protection cover nor handle the connected wire in the terminals with symbol , the installation and handling of the relay unit must be performed by authorized personnel and in the absence of electrical current.

To install the relay unit directly on the wall, drill two holes of 6mm. diameter and insert the wallplugs. Fix the relay unit with the specified screws.

The relay unit can be installed on a DIN guide with (4 elements), simply pressing it.
To extract the relay unit from the DIN guide, use a plain screwdriver to lever the flange as shown on the picture.



C ompatibility of connection.

The relay unit SAR-12/24 replaces the relay units R3 and SAR-90. below the connection terminals are detailed to replace in case of maintenance the relay R3 and SAR-90 with the relay unit SAR-12/24.

To replace the relay unit R-3 with the relay unit SAR-12/24:

Replace the fault relay unit R-3 with the relay unit SAR-12/24, taking into account the connection terminals, as described below.

R-3

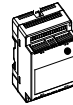


O B R T M

Terminal: O
Terminal: B
Terminal: R
Terminal: T
Terminal: M

← Connect to →
← Connect to →
← Connect to →
← Connect to →
← Connect to →

SAR-12/24



IN IN NC NA C

Terminal: IN
Terminal: IN
Terminal: NC
Terminal: NA
Terminal: C

To replace the relay unit SAR-90 with the relay unit SAR-12/24:

Replace the fault relay unit SAR-90 with the relay unit SAR-12/24, taking into account the connection terminals, as described below.

SAR-90

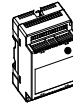


+ SA T R M T R M

Terminal: +
Terminal: SA
Terminal: T
Terminal: R
Terminal: M

← Connect to →
← Connect to →
← Connect to →
← Connect to →
← Connect to →

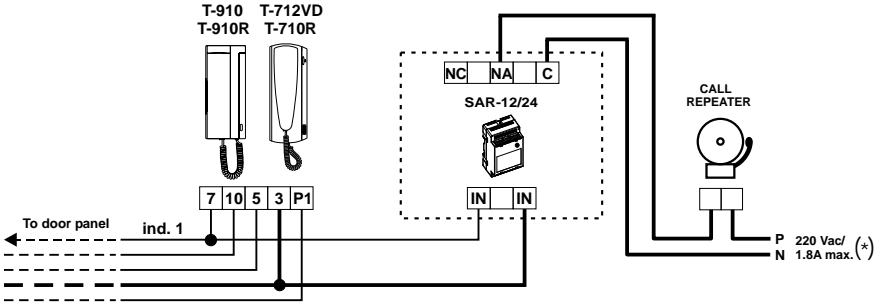
SAR-12/24



IN IN NC NA C

Terminal: IN
Terminal: IN
Terminal: NA
Terminal: NC
Terminal: C

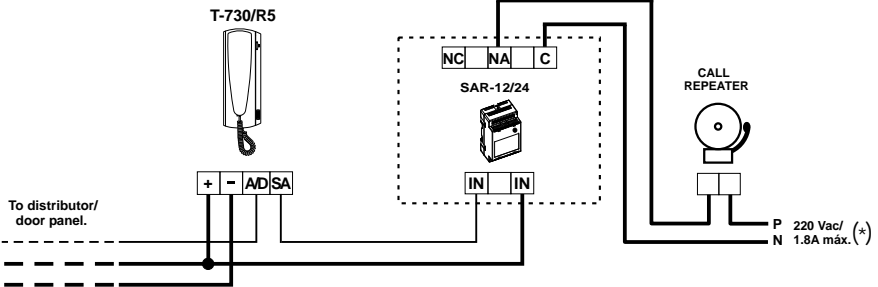
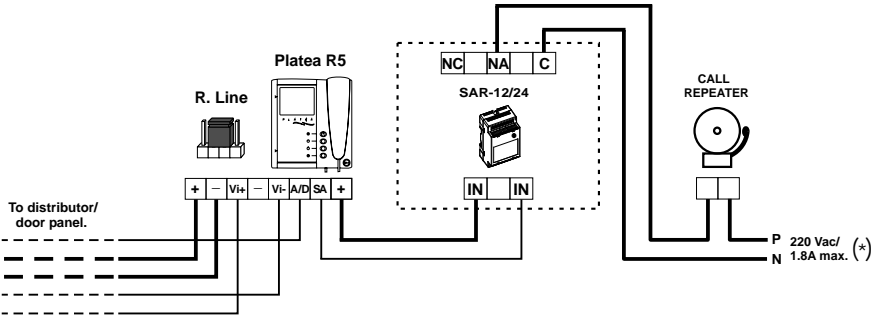
A Additional call repeater connection with 4 + N (buzzer call) system.



(*) the neutral supply from the additional call repeater will be wired through the relay contacts SAR-12/24, the maximum current for additional call repeater will be 1.8A.

IMPORTANT: For description, installation, configuration and programming of the 4 + N (buzzer call) system, see the T555ML manual.

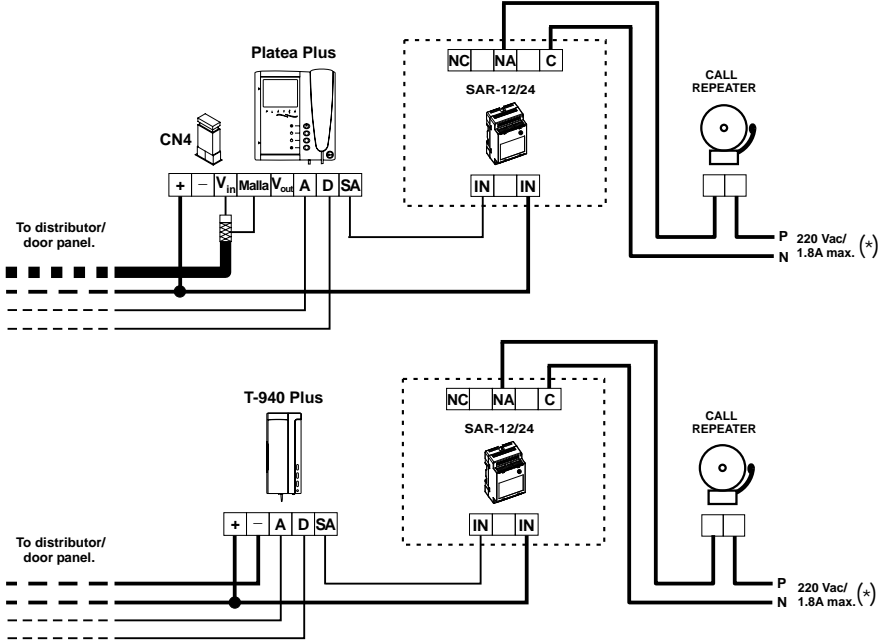
A Additional call repeater connection with Vista Plus system.



(*) the neutral supply from the additional call repeater will be wired through the relay contacts SAR-12/24, the maximum current for additional call repeater will be 1.8A.

IMPORTANT: For description, installation, configuration and programming of the Vista Plus system, see the TR5ML manual.

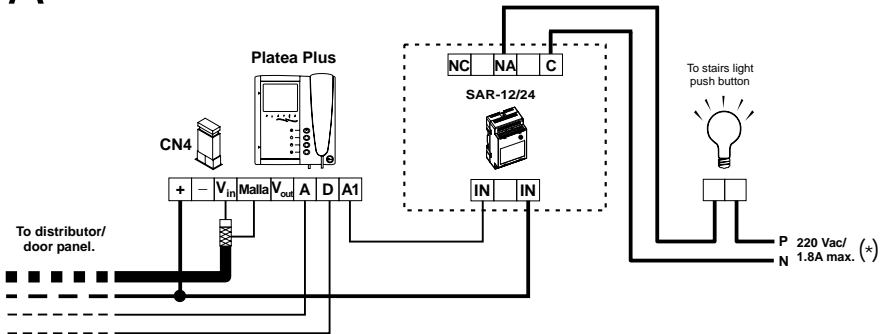
A dditional call repeater connection with Plus system.



(*) The neutral supply from the additional call repeater will be wired through the relay contacts SAR-12/24, the maximum current for additional call repeater will be 1.8A.

IMPORTANT: For description, installation, configuration and programming of the Plus system, see the T500ML manual.

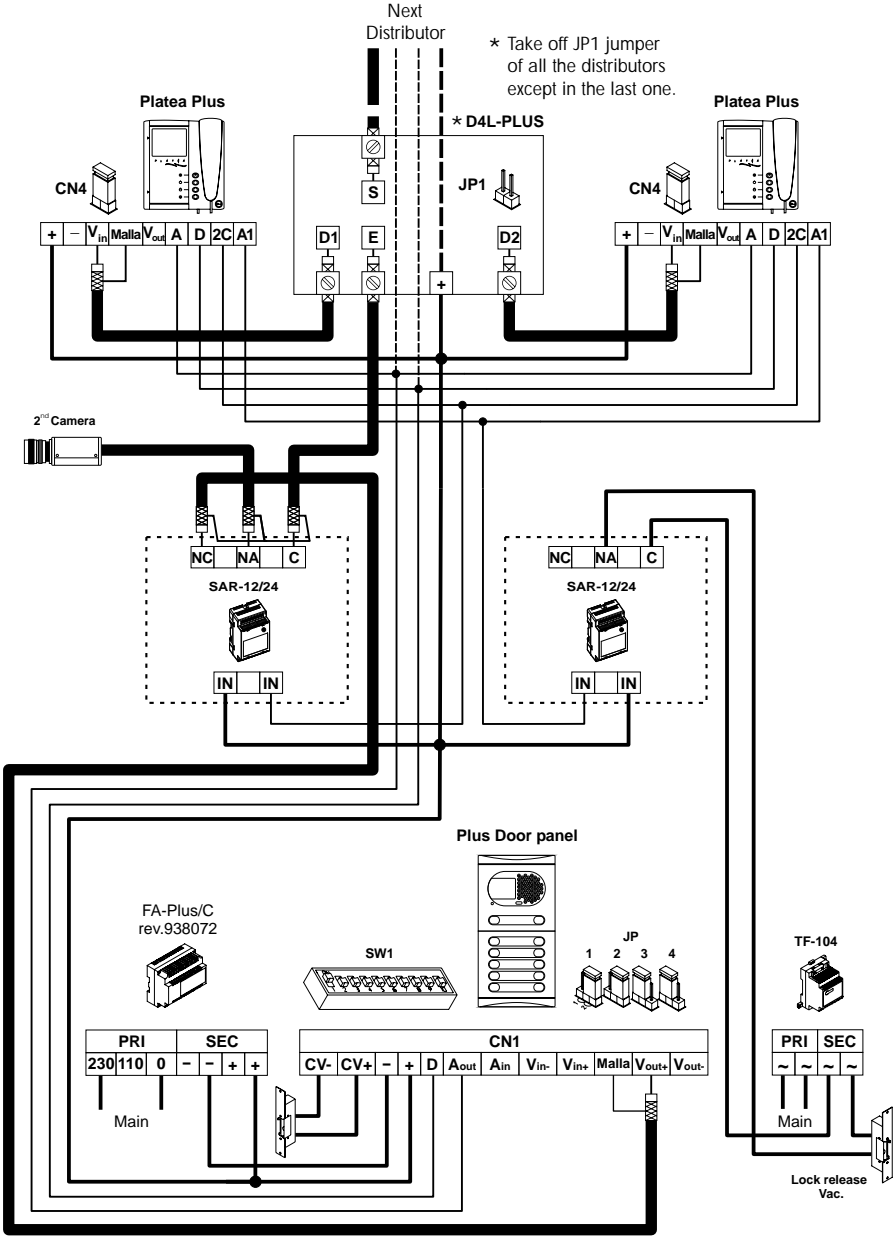
A uxiliary devices connection (stairs light) with Plus system.



(*) The neutral supply from the stairs light will be wired through the relay contacts SAR-12/24, the maximum current for stairs light will be 1.8A.

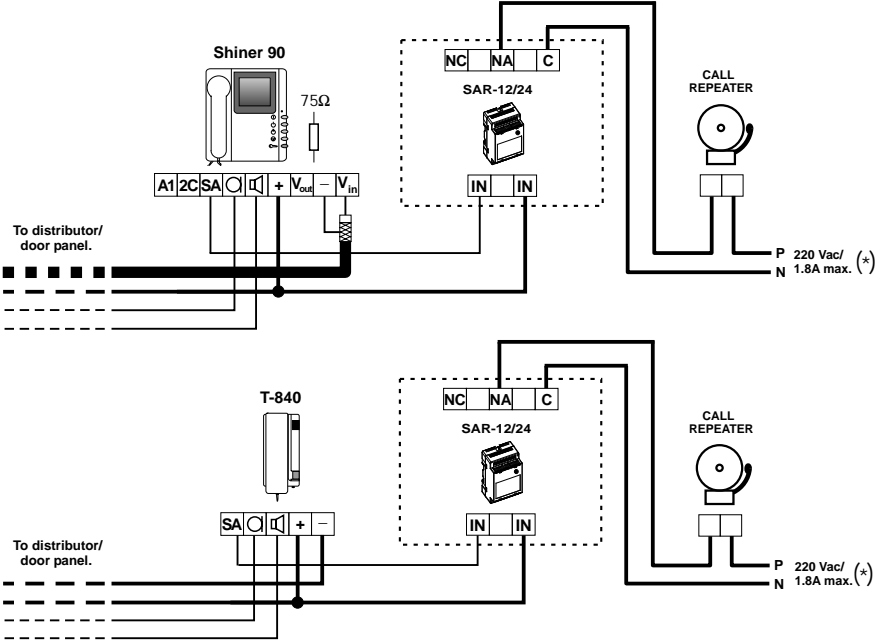
IMPORTANT: For description, installation, configuration and programming of the Plus system, see the T500ML manual.

A Auxiliary devices connection (2nd camera and 2nd door) with Plus system.



IMPORTANT: For description, installation, configuration and programming of the Plus system, see the T500ML manual.

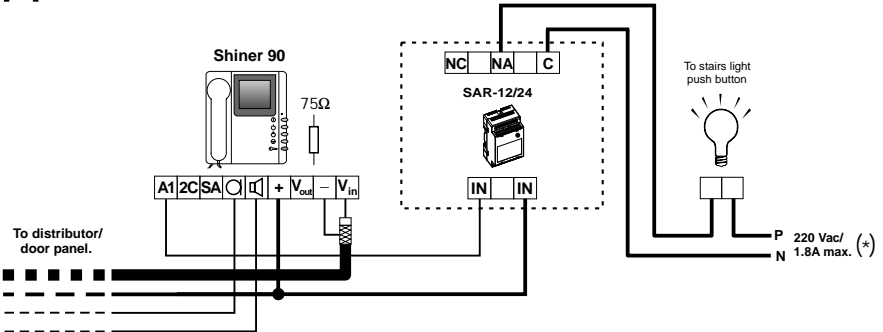
A dditional call repeater connection with 90 system.



(*) The neutral supply from the additional call repeater will be wired through the relay contacts SAR-12/24, the maximum current for additional call repeater will be 1.8A.

IMPORTANT: For description, installation, configuration and programming of the 90 system, see the corresponding manual.

A uxiliary devices connection (stairs light) with 90 system.

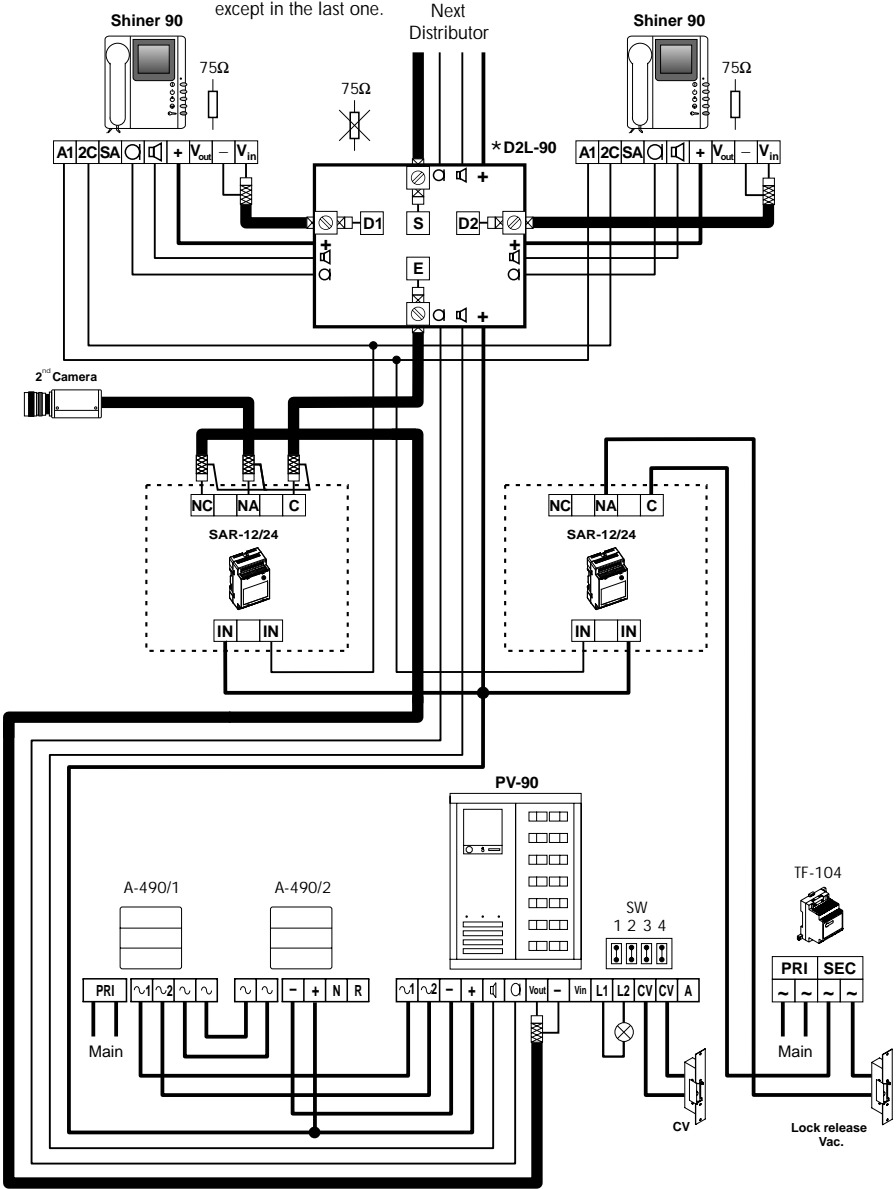


(*) The neutral supply from the stairs light will be wired through the relay contacts SAR-12/24, the maximum current for stairs light will be 1.8A.

IMPORTANT: For description, installation, configuration and programming of the 90 system, see the corresponding manual.

A uxiliary devices connection (2nd camera and 2nd door) with 90 system.

* Cut the resistance in all the distributors except in the last one.



IMPORTANT: For description, installation, configuration and programming of the 90 system, see the corresponding manual.



1141 Budapest, Fogarasi út 77. **1095 Budapest, Mester utca 34.**
Tel.: *220-7940, 220-7814, 220-7959, Tel.: *218-5542, 215-9771, 215-7550,
220-8881, 364-3428 Fax: 220-7940 216-7017, 216-7018 Fax: 218-5542
Mobil: 30 531-5454, 30 939-9989 Mobil: 30 940-1970, 30 959-0930

www.golmar.hu

E-mail: info@delton.hu Web: www.delton.hu